

The Inland Koi Connection



THE OFFICIAL
NEWSLETTER
OF IKS
ISSUE 162
SEPTEMBER 2009



SEPTEMBER 27
Sunday - 3-6 PM
IKS General Meeting
& Potluck Lunch
at the home of
**JIM &
EARLENE
HEARN**

14175 Poplarchick Dr.
Riverside, CA 92503
(951) 789-8953





Hello Again!

Everybody had a good time on our August bus trip to Mission San Luis Rey and the beach. The day started out at Jack Marrin's office with a continental breakfast, and then we got on the bus.

Our first stop was the Mission where we were joined by other IKS members who drove themselves. We saw the koi pond first. The pond is maintained by IKS member Pete Miles with help from other volunteers. This pond has a long history, but when Pete took over the maintenance for the pond it was in bad shape. He credits information that he got from our meetings and last year's field trip with helping him improve the pond.

After seeing the pond we went on a self guided tour of the Mission. It was very interesting to learn about some of the history of the Mission. One thing I was struck by was the cemetery. There were graves there from the early part of the twentieth century. Most people didn't live long back then. It made me think about how lucky we are to be alive today because in that century, people had to work a lot harder than we do. I don't think that many of them could even think about having a koi pond.

After the Mission we drove to the Oceanside pier, and went to Ruby's for lunch. We had the entire second floor. There was a great view of the ocean and we had a good meal. Some lucky people even got two desserts.

Next we were off to the beach. Pete drove the EZ-ups and snacks to the beach, and we were able to enjoy the beach. Norma Marrin got into the middle of a football game, and I took a "loosening up" swim in the ocean. (The next day I had a three mile swimming race in Long Beach. The Oceanside swim must have helped because I finished first in my age group. Just don't ask me how many people were in my age group.) The temperature was ideal for our get together and we relaxed under the EZ-ups, visiting and people watching. The bus then drove us back. I'm glad that everybody had a good time. The only glitch was that Larry's video tape that he brought for entertainment didn't work in the bus's DVD player.

I'd like to thank Mary Leever for bringing the breakfast and snacks – we had the leftovers at the next week's board meeting, Gene Maingot for making arrangements for the bus, Dennis Lynaugh for setting up the meal at Ruby's – if you had a second dessert give him an extra thank you, and Pete Miles for setting up the trip to the Mission, and helping to cart our equipment around.

Our next meeting will be at Jim and Earlene Hearn's home in Riverside on September 27th. The speaker will be Michele Mckinney Underwood who will talk about our water supply and if there will be enough water for our fish to swim in next year.

The next board meeting will be at Jack Marrin's office on October 7 – one week later than usual.

See you at the meeting,

Mark

Mark Krakower – IKS president.

**BOARD of DIRECTORS
Inland Koi Society
2009**

PRESIDENT:
MARK KRAKOWER
(951) 371-2223
kraktronix@sbcglobal.net

VICE PRESIDENT:
DENNIS LYNAUGH
(951) 780-0123
dlynaugh@pacbell.net

SECRETARY:
ZUMA ROSS
(951) 354-6444
zumaross@charter.net

TREASURER:
NICK MILFELD
(951) 780-7395
milfeld@msn.com

NEWSLETTER EDITOR:
DEBBY LEVERETT
(951) 781-3887
jenniferdl1950@hotmail.com

DIRECTOR:
KELLY HOUSTON
(909) 885-2503
vpkelly@earthlink.net

DIRECTOR:
ED KUSHNER
(951) 520-0092
edkushner@msn.com

DIRECTOR: Raffle Manager
MARY LEEVER
(909) 862-3028
mary@leeverelectronics.com

DIRECTOR:
GENE MAINGOT
(951) 272-4450
gomaingo@sbcglobal.net

DIRECTOR:
JACK MARRIN
(909) 792-3603
jack@marrin.com

DIRECTOR: Member Database
TOM ROSS
(951) 354-6444
tomzuma@charter.net

DIRECTOR:
TOM WRIGHT
(951) 637-5479
rookiekoiguy@earthlink.net

*Inside this
issue*

•Oval Pond •Board Members •Help Line	2
•Monthly Profile •Map •Directions	3
•UC Davis School •Harrison's Koi •August Bus Trip •Laguna Koi •Waterscapes	4/5
•Koi Cruise •Koi Varieties •AKCA Seminar 2010 •AKCA News	6/7
•Inland Koi •Mazuri Diets	8
•New Members •Leo's Construction •2 Koi Guys •MarLu Designs •Living Smart, LLU	9
•W. Lim Corporation •Dragon Series •Wave Pumps	10
•Calendar / Events •Printing Connection •Edward Dean Jazz •Chrysanthemum Art	11

~HELP LINE~ REFERENCES

• KOI DISEASE:	TOM ROSS	(951) 354-6444
• INFORMATION:	JACK MARRIN	(909) 792-3603
• LIBRARIAN: Books, Videos	TEE WRIGHT	(951) 637-5479
• MEETING SITES:	KELLY HOUSTON	(909) 885-2503
• MEMBERSHIP:	TEE WRIGHT	(951) 637-5479
• NEWSLETTER ADS:	DEBBY LEVERETT	(951) 781-3887
• PLUMBING or FILTERS:	BOB WALTERS	(951) 681-4064
• RAFFLE MANAGER:	MARY LEEVER	(909) 862-3028

Times have simplified at the Hearn's household since they hosted an IKS General Meeting 3½ years ago. Jim and Earlene are living the glorious "golden-years" of retirement. Earlene is still a beautiful red hair, blue eyed beauty and Jim is still a gregarious, life loving gentleman with an infectious smile. They are relaxed and accept life as it comes.

Their two daughters are grown and have raised children of their own; the youngest grandchild is ten years old now, so no worries there. They used to have an Abyssinian cat, but as she got older, would bite a lot. Plus she wasn't travel worthy, which is what Jim and Earlene love to do, so they found a good home for her and then, believe it or not, Jim purchased a five month old purebred Yorkshire terrier puppy. Those of you who have met Jim Hearn know he used to ride motorcycles as a favorite hobby and worked with the Sheriffs Department. He is tall, tan, and has a broad chest. But this tiny, two to 5 pound ball of energy has stolen his heart. The puppy's name is Zoey and has a bit of silver fur at the top of her head. Jim has a short silver beard and said Zoey will also eventually turn all silver...who would have guessed?

Earlene is President of the Mira Mar Social Club in a "55 and older" Mobil home park. Friend Tee Wright and she recently arranged an Encinitas Cruise which included ladies aged 22 to 84. While Earlene was the ultimate and elite hostess, Jim rode his bike along the beach with Zoey accompanying him in a basket.

The Hearn's have cut back their koi also, but still have one pond out of five, which houses about fifty koi. They have a timed solar feeding device which makes it easy when trips are planned. The pond is 40 feet long and 8 feet wide with a capacity of 6300 gallons of water. Two ½ h.p. Dragon Pumps supply the power: one pulls water from

three bottom drains to a vortex and then through a bead filter and UV light before returning to the pond via the waterfall; the other pulls water from two skimmers and then a straight run to the falls, which are six feet high for a dramatic effect as the water cascades into the pond. Some plants along the side of their pond became too aggressive, so Jim has been thinning, or removing a lot of them and added four sail shades above the pond to provide shade and add a new design. Jim said, "New koi owners have to go through the stages but I would recommend planting in pots around your pond to control growth and future problems."

There is a plaque hanging in their kitchen; "Life is not measured by the number of breaths we take, but by the moments that take our breaths away." Jim and Earlene's life is full. They love to travel & love staying home. They are looking forward to hosting the IKS September General Meeting; getting together to greet old friends and having the chance to meet new ones. Please bring your chairs and something to share at the pot luck. It doesn't matter what, because if we only have chips & dips or desserts, so be it. Just come to mingle and enjoy the end of summer. Larry & I will see you there...

Debby Leverett, IKS Editor (*healthy and WALKING forward*)

Program:

WESTERN MUNICIPAL WATER DISTRICT

Michele McKinney Underwood

Interim Public Affairs Supervisor

450 E. Alessandro Blvd., Riverside, CA 92508

www.wmwd.com

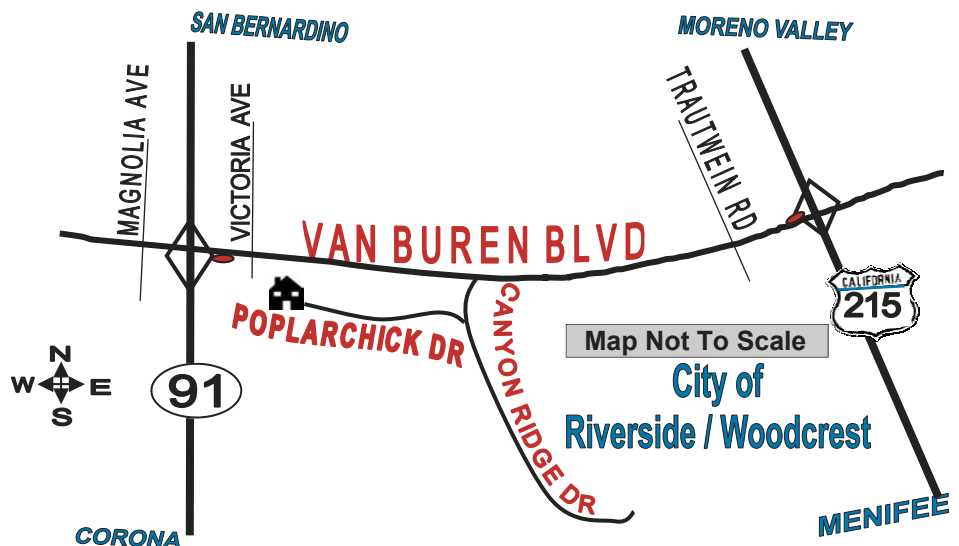
Water Stewards. Redefining Green.

Overview of the District and information about the water supply challenges and our solutions.

DIRECTIONS:

- Exit the 91 Fwy and go East, or I-215 Fwy and go West on VAN BUREN BLVD.
- Follow Van Buren Blvd until you reach the light at CANYON RIDGE DR. There is a only one way to turn on to this street.
- IMMEDIATELY, you will turn right at the first street. There is no identifying street sign but this is POPLARCHICK DRIVE. Follow it all the way to the end.
- Jim has leveled a large parking area located on the left of the street. Enter at the top of the hill just before you get to the shed.

**14175 Poplarchick Drive
Riverside (951) 789-8953**



Greetings from UC Davis School of Veterinary Medicine & The new Aquatic Animal Health Service at the Veterinary Medical Teaching Hospital in Davis, CA.

FISH DOC CARES FOR WATERY CLIENTELE

July 29, 2009*

If a combined sequel of the films “Doctor Dolittle” and “Finding Nemo” is ever made, Hollywood will undoubtedly come looking for Scott Weber.

A veterinarian trained in the health needs of fish and other aquatic species, Weber leads the new Aquatic Animal Health team at UC Davis’ William R. Pritchard Veterinary Medical Teaching Hospital. The team, which includes exotic-animal veterinarians and a technical crew, is part of the hospital’s Companion Avian and Exotic Pet Service.

Weber, who is a UC Davis alumnus, returned here after practicing seven years as the head veterinarian at the New England Aquarium in Boston. He is well versed in treating fish, amphibians, birds, marine mammals, reptiles and aquatic invertebrates that live in fresh, salt or brackish water. Sometimes Weber’s patients are brought to UC Davis’ veterinary hospital but usually he and colleagues visit them at aquaculture farms, retail fish operations and even backyard ponds.

“Many of our fish cases are local but because veterinarians who specialize in fish health are fairly uncommon, some patients have come from the Eastern United States, Hawaii and even Japan,” Weber said. “And our clients also span a broad spectrum,



including home aquarium and koi pond owners, aquaculture farm operators, retail and wholesale dealers, as well as personnel from laboratories, public zoos and aquariums, and even state or federal agencies.”

What can a fish doc do to help prevent disease or heal an ailing fish? Surprisingly, Weber and the Aquatic Animal Health team are able to offer a wide range of services including water testing, physical examinations, parasitology, surgery, endoscopy, skin and scale scrapings, laboratory cultures and viral diagnostic tests. They also provide imaging procedures such as X-rays, ultrasound, and CT and MRI scans. And when necessary, post-mortem exams, called necropsies, can be performed.

The team’s services are built on the long-standing experience of the veterinary school’s fish health group, which is responsible for discoveries about koi, sport fish and wild fish health, as well as development of new testing methods to screen for and help prevent fish diseases, such as koi herpes virus.

More information about the veterinary hospital’s services for fish and other aquatic species is available online at: http://www.vetmed.ucdavis.edu/vmth/small_animal/cape/aquatic.cgm.

(951) 369-9998



HARRISON'S

KOI

FARM

POND KOI • SHOW QUALITY KOI

2000 KOI on display from 3" to 30"

Specializing in hard to find varieties

- KOI FOOD
- SUPPLIES
- EQUIPMENT
- CONSULTATION



Terry & Koren Harrison
5580 / 5582 Rio Road
Riverside, CA 92509

IKS ANNUAL BUS TRIP ~ SATURDAY, AUGUST 22, 2009



BREAKFAST, MISSION SAN LUIS REY, LUNCH AT RUBY'S, AND TIME AT OCEANSIDE



PICTURES BY NICK MILFELD



LAGUNA KOI PONDS

Ben Plonski

Phone (949) 494-5107
20452 Laguna Canyon Road, Laguna Beach, CA 92651
bplonski@lagunakoi.com Fax (949) 494-1679



909-981-1731
www.thepondexperts.com

Jim Thompson
Debi Thompson
Contr. Lic #824893

Specializing in Koi Ponds, Filtration Systems & Watergardens
LANDSCAPING • LIGHTING • ARTIFICIAL TURF / PUTTING GREENS



I am pleased to announce this history-making event, with the opportunity to book before it is available to the public. This is a Koi enthusiast dream come true, unlike any other buying trip offered.

First, we travel to paradise, Honolulu Hawaii, and spend 2 days at the Hawaii Prince Hotel Waikiki and Golf Club while visiting Oahu's premier Koi Breeders. Then, we board Norwegian Cruise Line's lavish ship, Pride of America, for a 7-day journey visiting other top breeders on the Hawaiian Islands.

Besides the daily Koi excitement ashore, there are many other planned events held aboard in our private conference center. Included are world famous guest speakers, workshops, Koi art dealers, Koi judging, auctions and many other planned surprises aboard for everyone's enjoyment.

A fantastic early booking incentive valued at \$350 is being offered to the first 20 bookings as outlined on www.koicruise.com.

Members must act immediately, as this is an opportunity of a lifetime to visit these top Breeders' Koi farms, which are normally closed to the public. In addition, these breeders are offering incredible discounted pricing only available for this group. You may purchase as many top quality fish as you desire.

Please visit www.koicruise.com for a list of full details, and share the download-able flyer with other members of your club or associations. So they can also take advantage of this incredible Koi buying trip and cruise. You must act fast, as this event is sure to sell out quickly.

Best regards,

Grant Williams
Koi Cruise Host

koicruise@gmail.com
www.koicruise.com

APRIL 15-25, 2010

Koi Varieties

Koi have many varieties colors. The koi variations are unlimited; hence, breeders have identified and named a few specific categories. The most well-liked category is **Gosanke**, which consist of the *Kohaku*, *Taisho Sanshoku*, and *Showa Sanshoku* assortments.

The main koi varieties include:



Kohaku

A white-skinned koi, having large red marks on the top. The name means "red and white;" The kohaku koi was the first patterned variety to be established in Japan in the 19th century.



Taisho Sanshoku

or Taisho Sanke, This koi is comparable to the Kohaku, where they differ, this koi has small black markings called sumi. This selection was first revealed in 1914 by Gonzo Hiroi, koi breeder, during the reign of Emperor Taisho. In the United States it is abbreviated to just "Sanke".



Showa Sanshoku

or Showa Sanke, The black koi with red and white markings. The first Showa Sanke was revealed in 1927, during the reign of Emperor Showa. In the United States the name is abbreviated to just Showa. The extent of *shiroji* on Showa Sanke has improved, to the point where it can be difficult to tell it apart from Taisho Sanke.

Koi varieties are distinguished by coloration, patterning, and scalation. In the 1980s, ghost koi, were developed, those which have metallic scales. They are mixtures of wild carp and Ogon koi, and are not viewed as true Nishikigoi. Butterfly koi (known as long-fin koi, or Dragon Carp) were also introduced in the 1980s, and are noteworthy for their long flowing fins. They are a mixture of koi with Asian carp and, like Ghost koi, they are not accepted as true Nishikigoi.

Andrew's Koi International

(714) 778-888 ~ 1650 South Brookhurst Street ~ Anaheim, California 92804 ~ www.andrewskoi.com

AKCA/OSU KHV RESEARCH AGREEMENT ANNOUNCEMENT

Dear AKCA Club Representatives and AKCA club members,

We are excited to announce that AKCA - Project KHV has entered into an agreement with Oregon State University for a KHV Research Project under the direction and supervision of Dr. Ling Jin, Ph.D., DVM as the Principal Investigator. Dr. Jin is an Assistant Professor in Virology and Section Head of VDL-virology at the Department of Biomedical Sciences, College of Veterinary Medicine, Oregon State University.

AKCA - Project KHV commitment: \$79,940.00 with an initial grant payment of \$30,000.00

Time line: Research Project will begin in the next few weeks and is expected to continue for twenty-six (26) months.

Reports: Each quarter AKCA will receive a report in layman's language suitable for publishing in KOI USA to include high resolution photos submitted by the Principal Investigator. Additionally a detailed project budget/spending report will be submitted to AKCA for payment of actual expenses as the project progresses.

Project description and overview of intended outcomes:

- 1) Discover in which tissue or tissues does KHV become latent
- 2) Discover which viral genes remain active during latency
- 3) Study spontaneous reactivation from latency in KHV infected koi
- 4) Investigate spontaneous reactivation of latent KHV
- 5) Design a strategy to screen for and detect KHV latency

Additional comments:

- Every effort was made to select a research project and principal investigator that would give us the most research and best outcomes for our limited funding dollars.
- The initial \$30,000 grant payment will be made from the AKCA matching funds account.
- If the project is discontinued or not completed for any reason any unspent portion of our donation will be refunded to AKCA.
- If the current principal investigator cannot complete the project for any reason the replacement investigator must have similar KHV research experience and credentials.
- Additional grant payments will be based on a quarterly expense report listing actual research expenses by budget category.
- No facility or administrative costs are permitted to be paid with our grant.

We will be releasing additional information about this research as it becomes available over the next twenty six months. Special thanks to our generous AKCA Project KHV donors. Without your donations we would not be able to fund such an ambitious research project. It has taken longer than anticipated for us to discover a KHV research project that meets our limited funding criteria. We also want to thank the AKCA - Project KHV Interim committee and the AKCA board of Directors for their assistance with this time consuming research selection process.

Best Regards,

Ray Jordan & James Reilly

*Submitted to IKS by Zuma Ross

Nashville, TN
AKCA 2010 Seminar

<'))))>< <'))>< <'))))><



Wednesday - Sunday

May 19 - 23, 2010



Trade Show, Classes, City Tour, Pond Tour
 Start planning, start saving, start setting aside.
 IKS always has the largest contingent at the Seminar.
 Let's do Nashville together!

**"The 2010 AKCA
 Convention
 Will be in Nashville"**

**Co-sponsored by
 Nashville Pond Society**



INLAND KOI

Quality Japanese Koi
& Pond Supply



Importers of high quality
Japanese koi.
Complete line of koi &
pond supplies.

**On Saturday, July 11th,
we filled our tanks with
a new shipment of Koi
from Japan. Come look!**

INLAND KOI
10000 Indiana Ave., Ste #7
Riverside CA 92503
(951) 352-5128

Look for us on the
south side of Indiana Ave.,
between Tyler and Harrison
2 miles from old location

Store Hours: Mon-Sat 10:00-5:00
Sun 10:00-4:00

Phone: (951) 352-5128
Email: inlandkoi@inlandkoi.com

THE BEST QUALITY
Japanese Koi
AT A REASONABLE PRICE!

Mazuri.

The Exotic Animal Feeding Resource

EXOTICS RULE OUR ANIMAL KINGDOM



At Mazuri®, we know exotics rule. In the grand scheme of things, we produce more food for more exotic animals than any other company in the world.

MAZURI® KOI DIETS:

- Top quality fish and soy protein
- Complete and balanced nutrition
- Astaxanthin, canthaxanthin, spirulina, shrimp and beta-carotene for brilliant color
- Each bag is date coded for guaranteed freshness and is produced in the United States



So for healthy, brightly-colored Koi and cloud-free water, trust Mazuri.®

MAZURI® KOI DIETS:
Koi Platinum Ogata
Koi Platinum Wheat Nuggets
Koi Platinum Nuggets
Koi Pond Nuggets
Koi Platinum Bits

Take a walk on the wild side and visit us at:
www.Mazuri.com

**W
E
L
C
O
M
E**

NAME	CITY	JOINED
MELVIN & MARY GREEN	CORONA	08 - 09
MARIANO & CATHY PALPALLATOC	CHINO HILLS	07 - 09
RHONDA SIMMONS & CODY SHORT	RIVERSIDE	07 - 09

IKS hopes you enjoy a fun and informative association with our club! As a member, you get the advantage of having years of experience (mistakes and lessons) available to you, while at the same time there are enough newer hobbyist members that you don't feel you are the only one who is clueless on a subject. Ask questions!



MarLu Home & Garden Design

*Marc and Lucille
Chacon
951-781-6771*

Award Winning Inland Empire designers will:

- Create your personal sanctuary in your own style around your pond
- Build custom seating, arbors, pergolas, and other shade alternatives
- Install all types of hard and greenscapes
- Develop your personal peaceful garden spot



With a structured plan, everyone can afford a special garden enhancement.

Leo's Construction



Driveways • Universal Flagstone • Block Wall
Brick • Ponds • Waterfalls



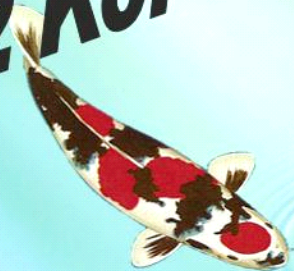
LEO PALOMARES

(626) 960-6157

2 Koi Guys

951 237-2508

951 205-1212



~ Scott Zehm ~ Robert Walters ~
Contractors Lic. #716692

- DESIGN • CONSTRUCTION • MODIFICATIONS
- YOUR UV LAMP SOURCE • KOI POND FILTRATION
- LINER OR CONCRETE PONDS • INSTALLATIONS
- WEEKLY & MONTHLY MAINTENANCE

Donna Keats

(951) 343-0657

(951) 529-0576



11681 Sterling Avenue
Suite H

Riverside, CA 92503
donna@pairofkeats.com
regencyseniorcare.com

Introducing our newest advertising sponsor:

LIVING SMART REGENCY SENIOR CARE

Fellow IKS members, **Dennis & Donna Keats**,
have started a new service business.

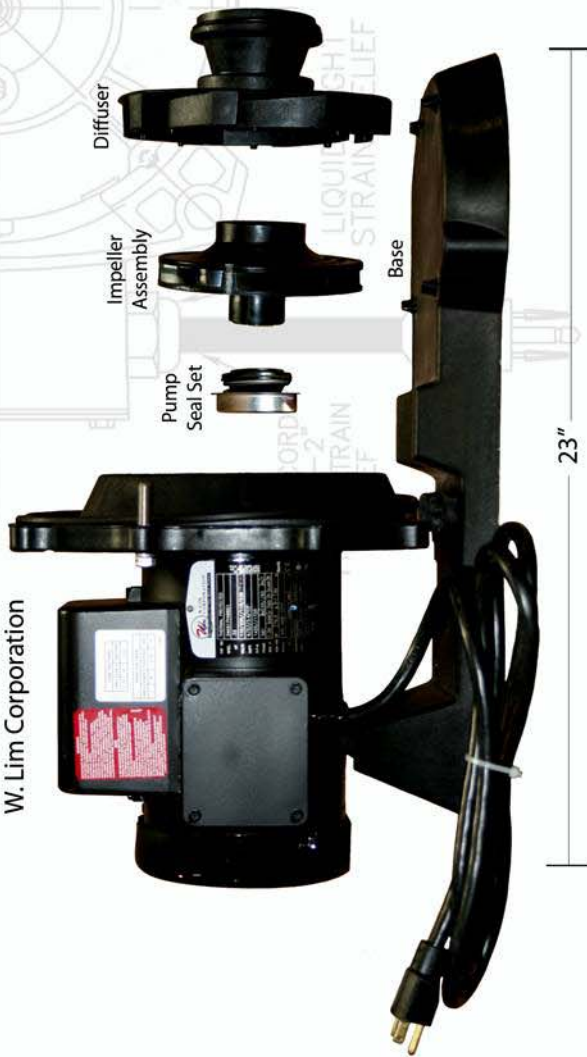
They provide non-medical, in-your-home, personal care as well as companionship care for Seniors and others needing private care as after an injury or surgery. Their experienced employees are qualified, reliable, insured and bonded. Their purpose is to give the whole family peace of mind by respectfully taking care of the needy family member. If you have the need, they can help.

W. Lim Corporation
11095 Inland Avenue
Mira Loma, CA 91752
Tel (951) 360-7878 Fax (951) 360-1166



DRAGON Series

Industrial Baldor Motor
custom built for
W. Lim Corporation



Model Shown: Dragon 1/3 HP

**INLAND KOI SOCIETY
PROGRAM PLANNING CALENDAR 2009**

REGULAR MTG 4th Sunday	HOSTS Address	PROPOSED PROGRAM Speakers	BOARD Wed. after Mtg
September 27 <i>Time: 3:00-6:00 PM</i>	Jim & Earlene Hearn 14175 Rio Road Riverside, CA 92509 (951) 789-8953	Western Municipal Water District	Wed. Oct. 07
October 25	Please Call Kelly Houston if you would like to Host the IKS October Meeting (909) 885-2503		Wed. Oct. 28
November 22	Steve & Lily Rhodes 26151 Carancho Rd. Teneclula, CA 92590	Pending	Dec. 02

2009

Coming Events

S E P T E M B E R	13	KOI CLUB SAN DIEGO ~ General Meeting / 1 pm. Hear recorded information (619) 713-2633 / www.koiclubsandiego.org
	22	FIRST DAY OF AUTUMN ~ <i>Fall</i> 
	27	IKS GENERAL MEETING AND POTLUCK ~ 3:00-6:00 pm / Hosts will be Jim & Earlene Hearn of Riverside / For more information, contact Mark Krakower at (951) 371-2223

FREE

- Sunday, September 13, 2009 | 2:00 - 4:00PM
Nannette & the Hotsy Totsy Boys
- Sunday, September 27, 2009 | 2:00 - 4:00PM
Rocky Start
- Sunday, October 18, 2009 | 4:00 - 7:00PM
Rhythms of the East
- Sunday, November 1, 2009 | 2:00 - 4:00PM
Fenians

Bring your family, friends and picnic blankets.
Spread the word!

Edward-Dean Museum & Gardens
9401 Oak Glen Road, Cherry Valley, CA
951.845.2626
www.edward-deanmuseum.org

WELCOME TO THE EARL BURNS MILLER JAPANESE GARDEN ON THE CAMPUS OF CALIFORNIA STATE UNIVERSITY LONG BEACH

CHRYSANTHEMUM SHOW
SATURDAY, OCTOBER 31, 2009
9 AM - 1 PM

Saturday we will highlight the art of *sumie*, traditional Japanese ink painting. Enjoy an introduction to this wonderful art form in the main garden by professional *sumie* artist Tomoko Uehara. Stunning chrysanthemum blooms from the nationally juried Chrysanthemum Society of Orange County Show will delight and astound visitors. Enjoy the beautiful features of the Japanese garden sprinkled with mums in glorious fall colors. Purchase beautiful mums to decorate your home or garden.



No RSVP required. Admission: Adults \$7, Seniors \$6, Members \$5, children 12 and under free.



www.csulb.edu/~jgarden
(562) 985-8885 / The Garden is located on Earl Warren Drive on the CSULB campus



"Fall Back"
Nov. 1, 2009
Time Change



**O
C
T
O
B
E
R**

07	IKS BUSINESS MEETING ~ 7 pm / <i>All members of IKS welcome!</i> — 6531 Box Springs Blvd, Riverside / Mark Krakower at (951) 371-2223.
9	AKCA BOARD MEETING ~ 6pm / 529 W. Blueridge Ave., Orange, CA 92865 / Call Kelly Houston at (909) 885-2503 for more information.
12	COLOMBUS DAY ~ Commemorating the date of Christopher Columbus's arrival in the New World in 1492. 
18	OUTDOOR MUSIC & JAZZ FESTIVAL ~ 4-7pm. See information on the left
23-25	BAKERSFIELD KOI & WATER GARDEN ~ Annual Koi Show at Kern County Fairgrounds, Bakersfield CA. Contact Gini Cope 661-399-6195 ginic@bak.rr.com
25	IKS GENERAL MEETING AND POTLUCK ~ 2-5pm. We need a place to meet in October and no one is stepping up. Members bring their own chairs and supply the meal, so the Host does not have to do anything except provide us space to meet. Call Kelly Houston at (909) 885-2503 for more info or Mark at (951) 371-2223.
28	IKS BUSINESS MEETING ~ 7 pm / <i>All members of IKS welcome!</i> — 6531 Box Springs Blvd, Riverside / Mark Krakower at (951) 371-2223.
31	CHRYSANTHEMUM SHOW ~ 9am-1pm. See information on the left.
31	HALLOWEEN ~ BOO TO YOU! ~ BE SAFE ~ HAVE FUN~ 

PRINTING CONNECTION, INC.

JACK CORDS

11800 Sterling Ave., Suite E
Riverside, CA 92503
printingcolor@yahoo.com
www.printingconnection.net
800.491.1964
951.351.9437
Fax 951.351.4574



The Inland Koi Connection is a publication of the Inland Koi Society. Material is selected for the club's interest in ponds, koi, gardening, and other activities. IKS Officers and Directors accept no responsibility for accuracy of content. Reproduction is permitted provided this newsletter is credited as the source. Deadline for newsletter items is the 5th day of each month and items should be submitted directly to Editor, Debby J. Leverett at 5349 Jasper Lane - Riverside, California 92506 Phone: (951) 781-3887 E-mail: jenniferd11950@hotmail.com



INLAND KOI SOCIETY
5198 ARLINGTON AVE., #146
RIVERSIDE, CA 92504


Return Service Requested

Pull One for Love! Ever notice the little piles of soda can pull-tabs that appear on the sign-in table at club meetings? Wonder why they're there? Today, pull-tabs serve a greater purpose in their afterlife as part of ongoing funding of the **Ronald McDonald House Charities** and the 150+ Ronald McDonald Houses in the U.S., Canada and overseas.

We don't do a good job of recycling at club meetings—tossing our cans and bottles out with the rest of the trash; we should have a place to put both—but we do at least pull the tabs. Many members save them up from home and work and regularly bring little tab-filled bags to meetings.

March 7, 2008, IKS turned in **39.8 pounds**, or approximately **50,600 tabs** (about 1265 tabs per pound!) at the Collect-A-Million Day for Loma Linda Ronald McDonald House. That was about two years worth of tabs. We're still collecting...for a turn-in next year. Save with us. Remember, **Pull One for Love!**

This is the house
 Where families meet
 To continue their lives,
 To eat and sleep;
 To find their strengths,
 And dry their tears,
 To look forward with hope
 To better years.
 This is the house
 That becomes their home.
**This is the house
 That love built.**




This koi changes color with the seasons. **Kumonryu** is a black koi with curling white markings. The patterns are thought to be suggestive of Japanese ink paintings of dragons.

www.
andrewskoi.com



The Ochiba Shigure literally means autumn leaves on the water in Japanese. A blue gray koi with brown markings and a net-like pattern. These koi are part of the kawarimono group which is a broad classification used for a wide variety of koi that do not fit into other classes.

www.
koipondfever.com

Visit our website: www.inlandkoi.org